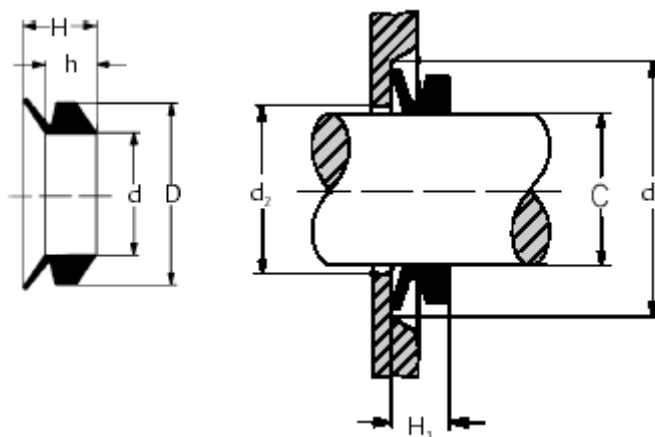


Article number: 17950070S

Description: KLEE V-ring VS 50-70 NBR 60

Measures



$C = 68-73$

$d = 63.0$

$D = 75.0$

$d1 = C+18$

$d2 = C+4$

$h = 11.3$

$H = 15.5$

$H1 = 13,5 \pm 1,2$